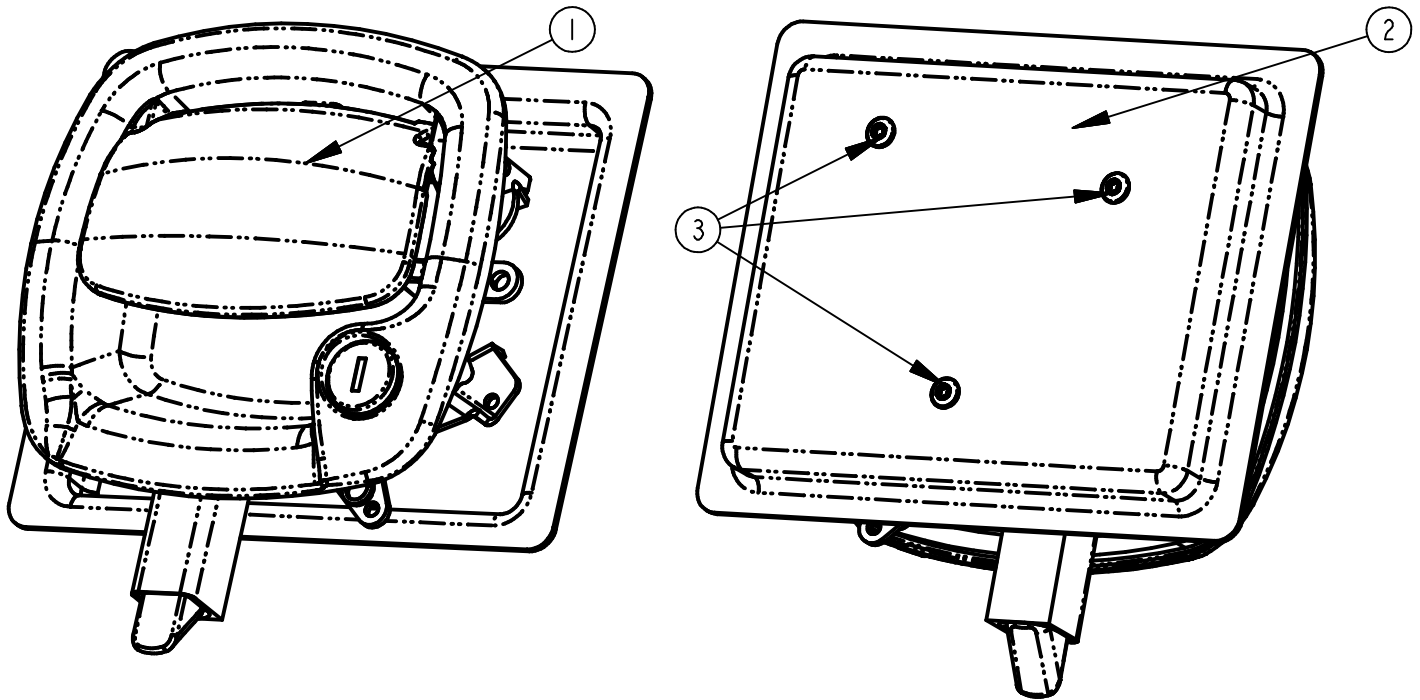
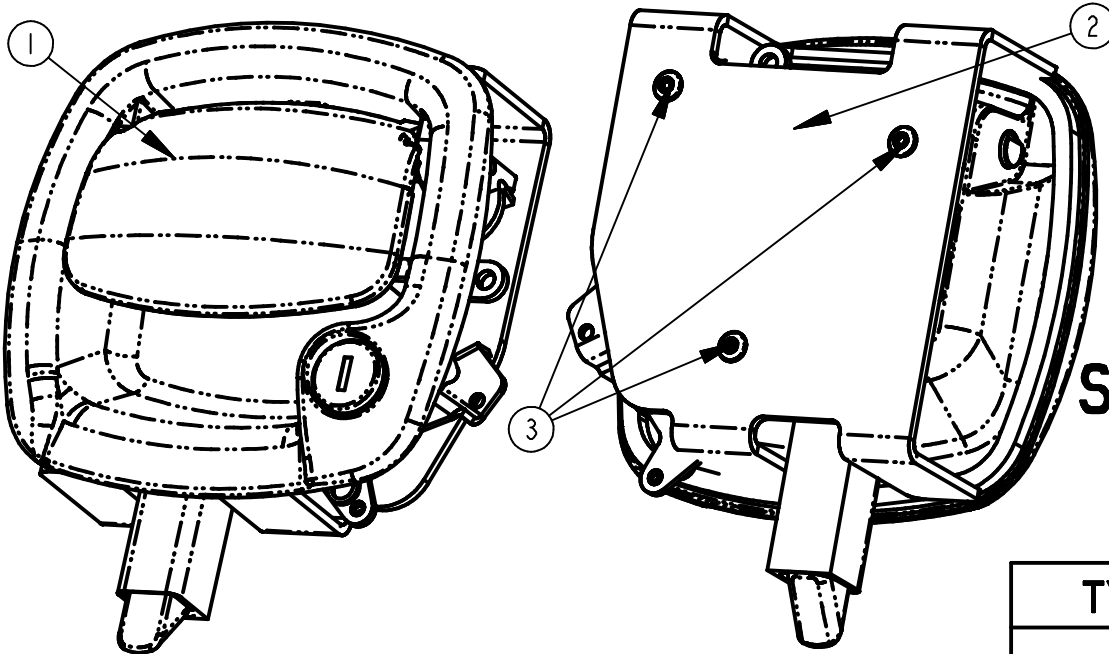


3	15555-01	ASSEMBLY MOUNT FASTENER	3
2	20756-01, -02, -03	MOUNTING BRACKET	1
1	19583-01, -02, -07, -08, -09	BAGGAGE ASSEMBLY WITH ZINC PLUNGER	1
RIGHT HAND 060-0475 ZINC PLUNGER WITHOUT POWER LOCK			



3	15555-01	ASSEMBLY MOUNT FASTENER	3
2	21589-01	SKIN PINCHING MOUNTING BRACKET	1
1	19583-01, -02, -07, -08, -09	BAGGAGE ASSEMBLY WITH ZINC PLUNGER	1
RIGHT HAND 060-0475 ZINC PLUNGER WITHOUT POWER LOCK (SKIN PINCH BRACKET)			



SHEET 3 OF 7

DRAWN BY	BJP	6/26/14
CHKD BY		
RLSE DATE		

TYPICAL APPLICATION	
MODEL TY060-0475	
SCALE	DESCRIPTION
0.500	060-0475, TYPICAL APPLICATIONS
SIZE	
A	
REVISION	PART NUMBER
	TY060-0475A